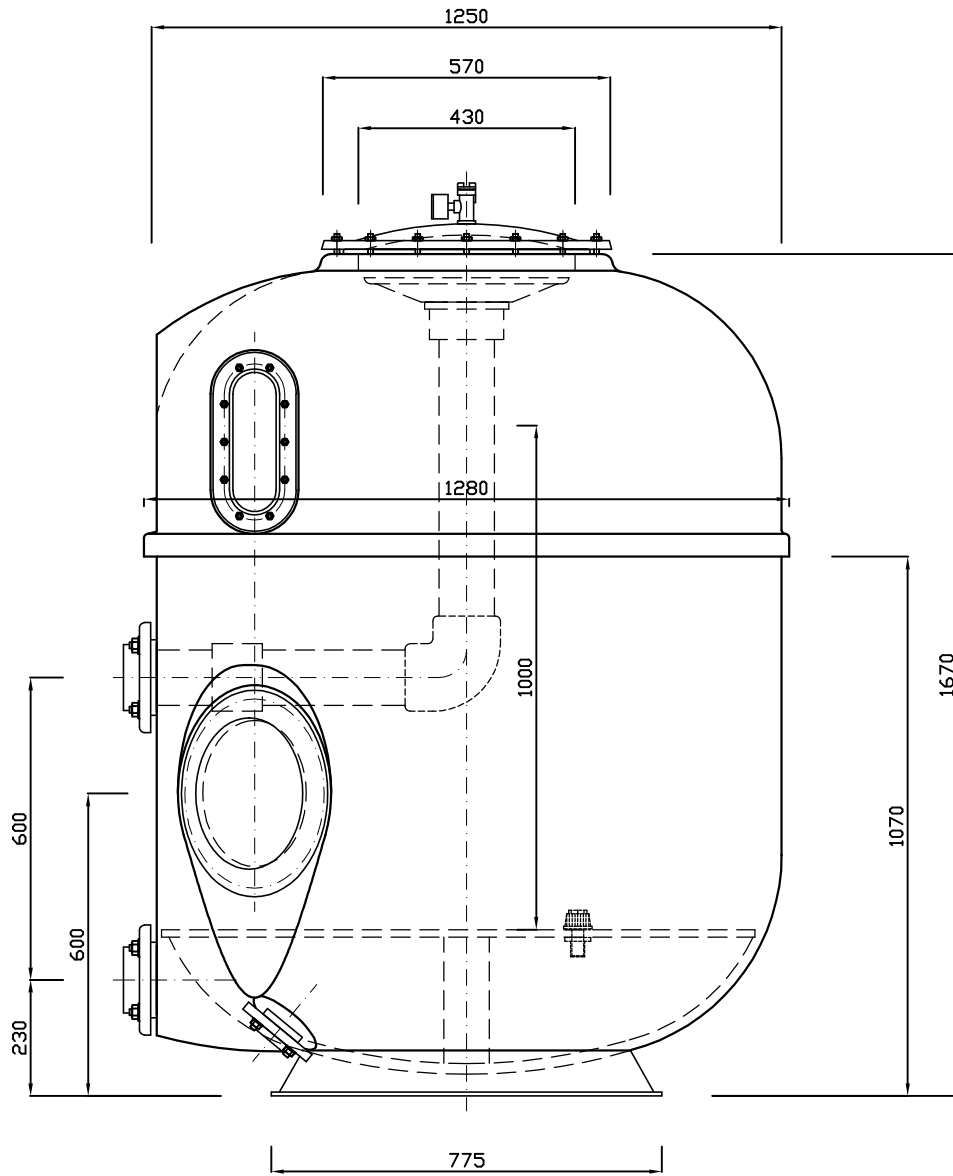
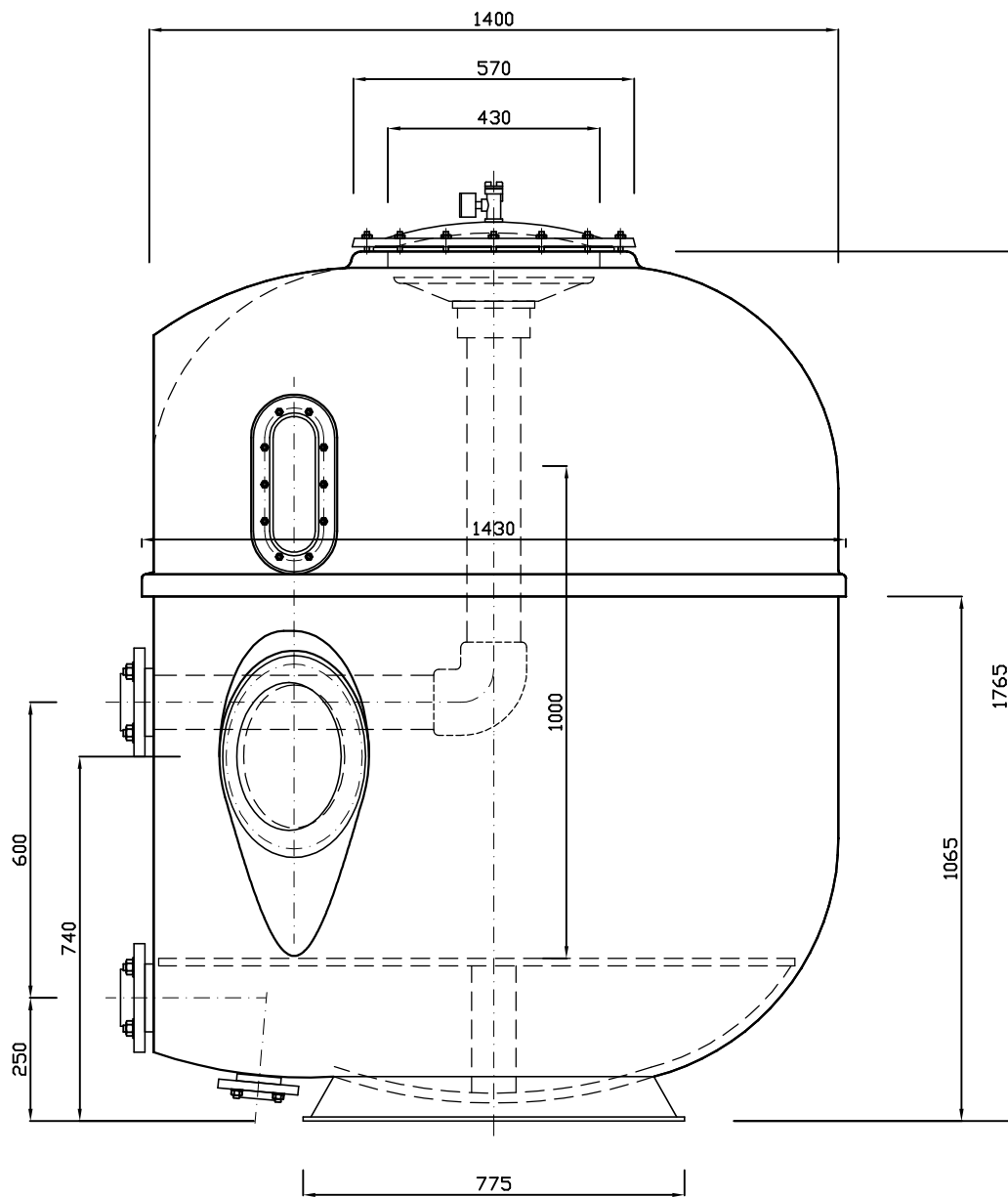


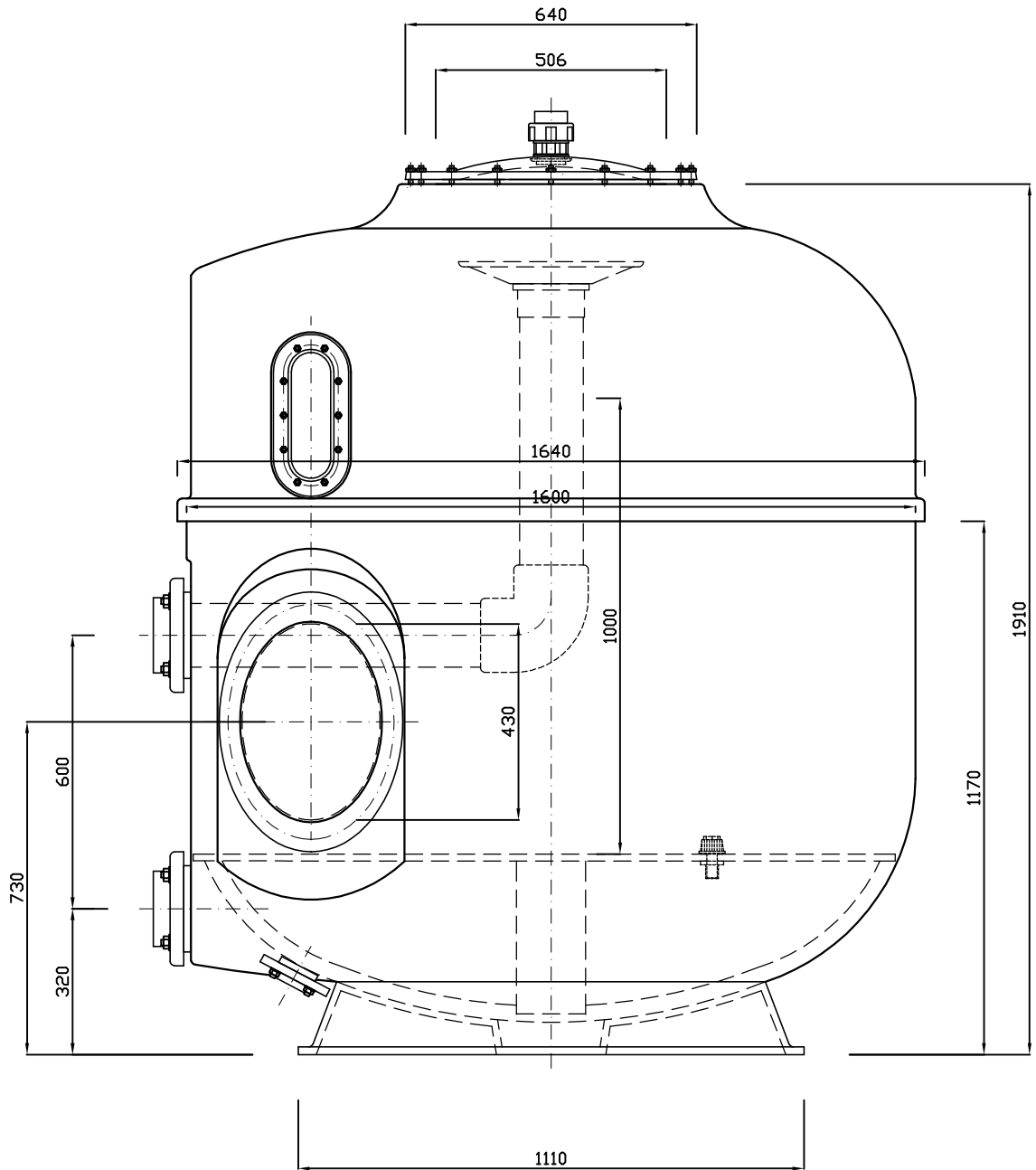
		Scale 1:15	
			Material G.R.P
		Denomination XL Series - 1080	Dimensions Ø 1080 mm h 1555 mm Flange Ø90
Created: Daniel N.	Date: 08.02.2012	Last Modification: 18.07.2017	



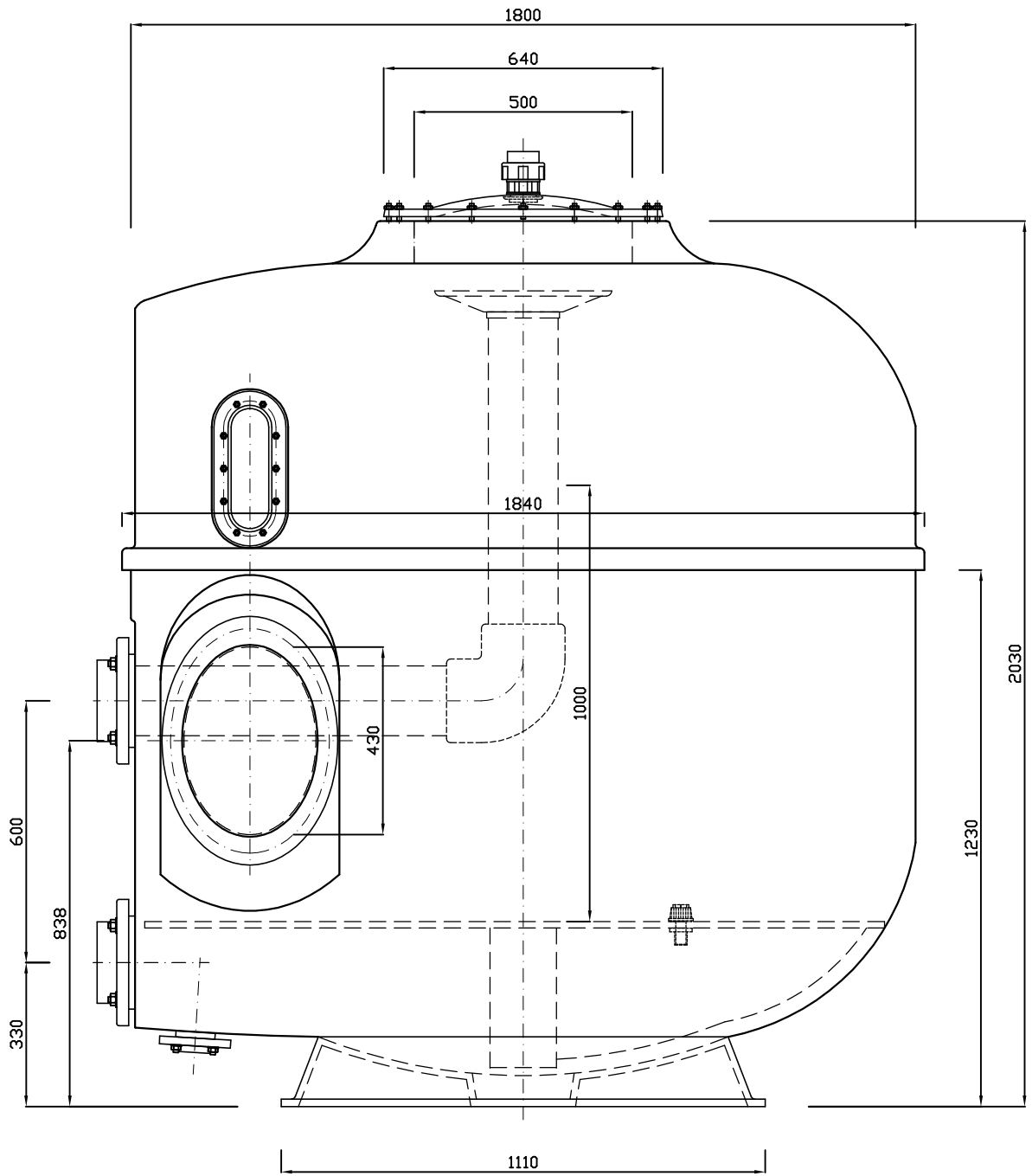
		Scale 1:15	
			Material G.R.P
		Denomination XL Serie - 1250	Dimensions Ø 1250 mm h 1670 mm Flange Ø110
Created: Daniel N.	Date: 08.02.2012	Last Modification: 18.07.2017	



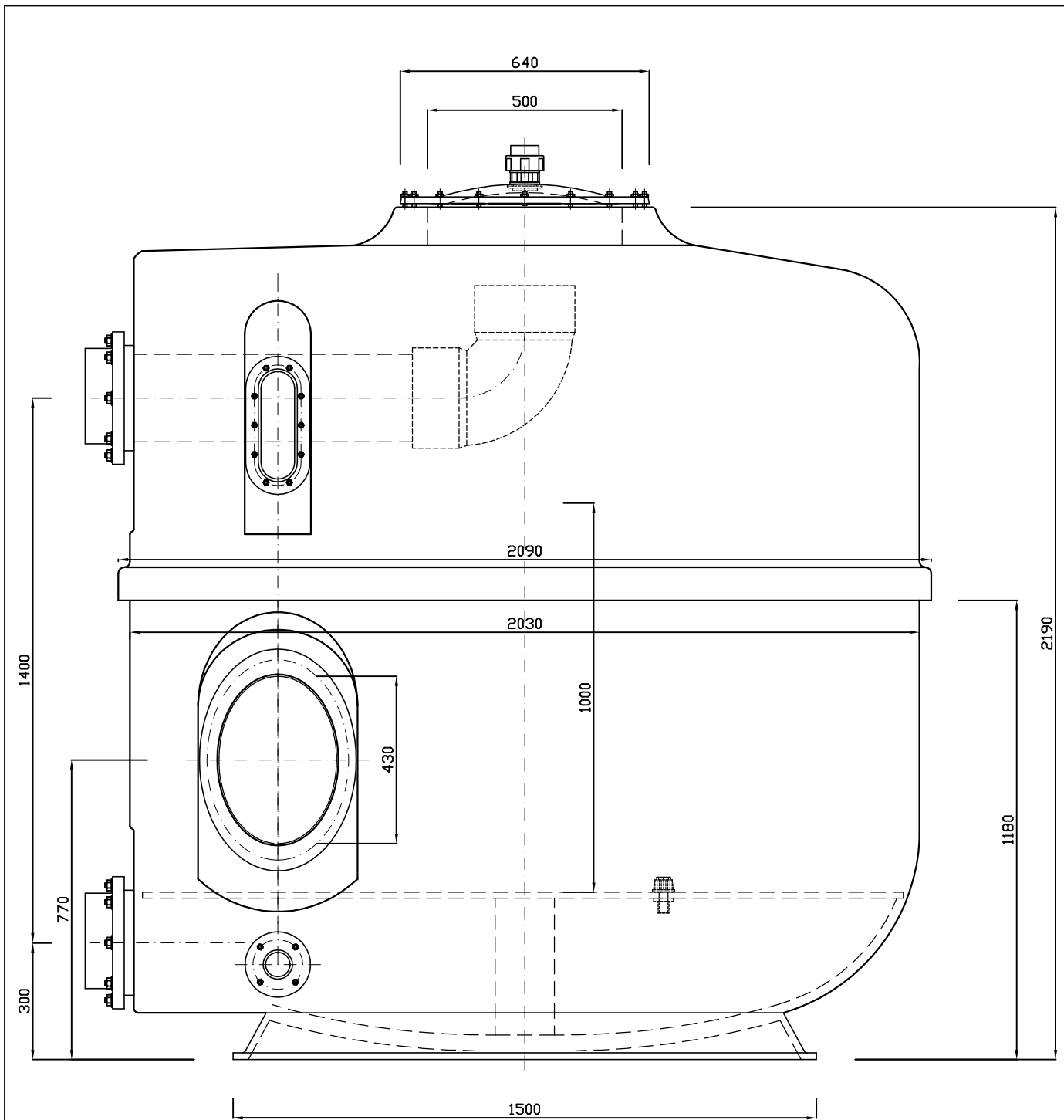
		Scale 1:15	
			Material G.R.P
		Denomination XL Serie - 1400	Dimensions Ø 1400 mm h 1760 mm Flange Ø110
Created: Daniel N.	Date: 08.02.2012	Last Modification: 18.07.2017	



		Scale 1:15	
			Material G.R.P
		Denomination XL Serie - 1600	Dimensions Ø 1600 mm h 1900 mm Flange Ø140
Created: Daniel N.	Date: 08.02.2012	Last Modification: 18.07.2017	



		Scale 1:15	
			Material G.R.P
		Denomination XL Serie - 1800	Dimensions Ø 1800 mm h 2090 mm Flange Ø160
Created: Daniel N.	Date: 08.02.2012	Last Modification: 18.07.2017	



		Scale 1:15	
			Material G.R.P
		Denomination XL Serie - 2000	Dimensions Ø 2030 mm h 2190 mm Flange Ø225
Created: Daniel N.	Date: 08.02.2012	Last Modification: 18.07.2017	